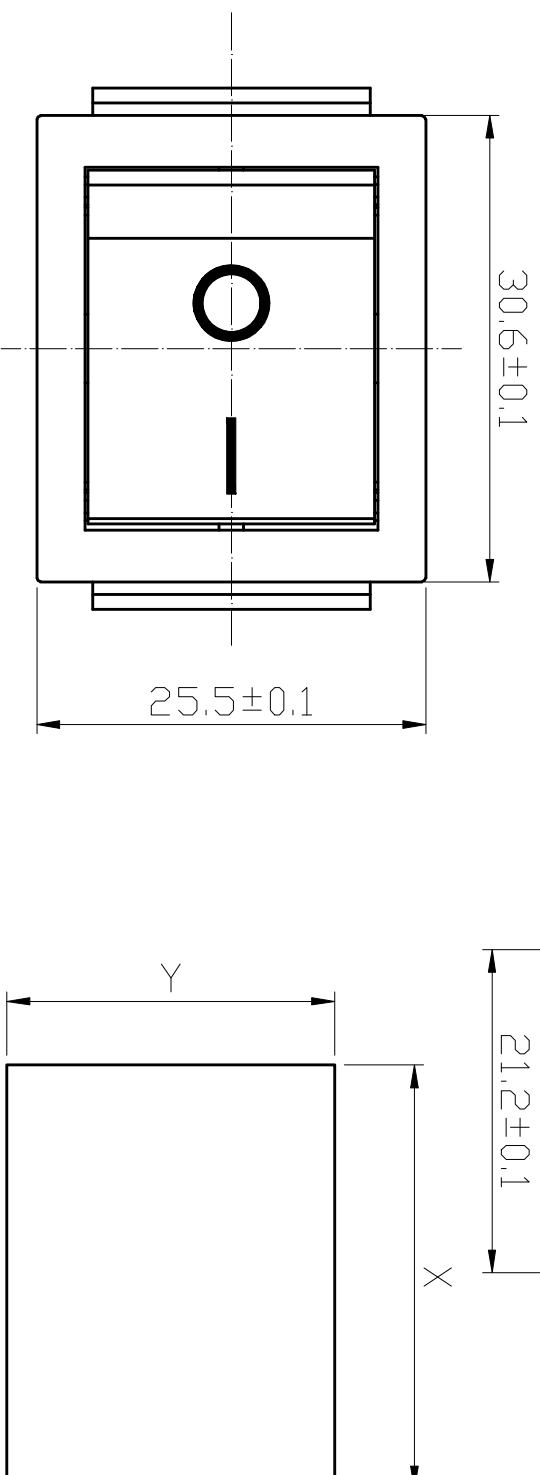


安装开孔尺寸
MOUNTING HOLE DIMENTION

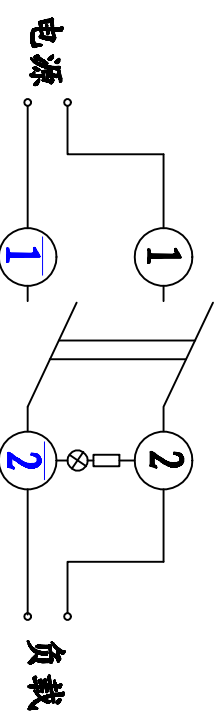
t	X	Y
0.75-1.25	27.6 ₀ ^{+0.1}	21.5 ₀ ^{+0.1}
1.25-2.0	27.7 ₀ ^{+0.1}	21.5 ₀ ^{+0.1}
2.0-3.0	27.8 ₀ ^{+0.1}	21.5 ₀ ^{+0.1}

t为材料厚度
Panel Thickness

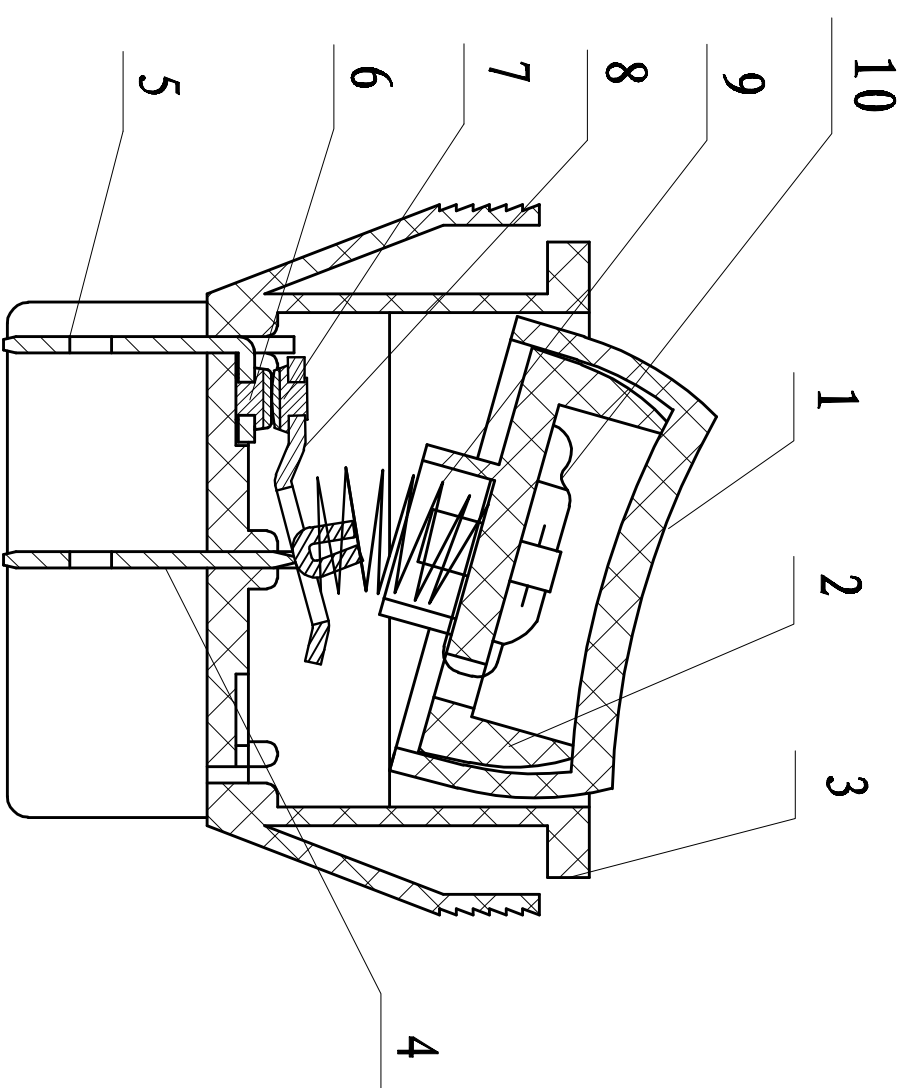


电气原理图
CIRCUIT DIAGRAM

ON-OFF



NINGBO MASTER SOKEN ELECTRICAL CO., LTD.		DATE		TITLE	
DESIGNER	签发人	2013.5.22	DIN UNIT	mm	
CHECKED BY					RK1-01F 黑红板 "0-"
APPROVED BY					



NINGBO MASTER SOKEN ELECTRICAL CO., LTD.

DESIGNER	竺友朋	DATE	2013.5.22	DIN UNIT	mm
CHECKED BY		DATE		TITLE	RK1-01F 黑红弧 “0-”
APPROVED BY		DATE		PAGE	

SPECIFICATION 规格书

1	Rating 额定值	16A 125VAC(UL); 16 (6)A 250VAC T100/55 (VDE), 16A 250VAC T100(TUV, KEBA/ENEC); 16A 250VAC T100/55 (CQC); 16A 250VAC (K)						
2	Operating temperature range 使用环境温度	-25 ~ 85℃						
3	Operating force 动作力	9.0 ± 4.5N						
4	Marking 标记	The following is marked on the switch 开关上作如下标记						
		Manufacture's mark 商标						
		Catalogue No. 型号	RK1-01					
		Rating 额定值	16A 125VAC(UL); 16 (6)A 250VAC T100/55 (VDE), 16A 250VAC T100(TUV, KEBA/ENEC); 16A 250VAC T100/55 (CQC); 16A 250VAC (K)					
		Lot. No 批号						
Approval mark 认证标记		     						
5	Approval No. 证书号	Approved	UL	VDE	TUV	CQC	KEBA/ENEC	K
		Catalogue NO.证书类别						
		RK1-01	B218957	40012988	R500500670002	CQC03002003652	2006522. 01	SU02034-7001A
6	Applicable standard 适用标准		UL61058	IEC61058-1	IEC61058-1	GB15092. 1-2003	IEC61058-1	K61058-1 (2003)
7	Contact resistance 接触电阻	100mΩ Max.						
8	Insulation resistance 绝缘电阻	100MΩ Min.						
9	Voltage proof 耐压	端子间1500VAC 1分钟; 端子与接地间3000VAC 1分钟;						
10	Electric life 电气寿命	6000 cycles (16A 125VAC); 10000 cycles (16 (6)A 250VAC. 16A 250VAC)						
11	Neon tube Electric life 氖泡电气寿命	More than 10000 (250VAC) hours						

MATERIAL LIST

No. 序号	Part name 零件名称	Description 材料名称	Quantity 数量	Note 说明
1	Cover (面罩)	PC 141R	1	Ge. PLastics Americas
2	Holding (内托)	PA66 101L	1	DUPONT DE NEMOUSR
3	Housing (底壳)	PA66 101L	1	DUPONT DE NEMOUSR
4	Terminal (支架脚)	Brass t=0.8mm	2	H62 Y2 GB/T2059-2003
5	Contact (触点脚)	Brass t=0.8mm	2	H62 Y2 GB/T2059-2003
6	Static contact (静触点)	AgSn02In203/Cu	2	
7	dynamic contact (动触点)	AgSn02In203/Cu	2	
8	Dynamic flake (动触片)	Brass t=0.8mm	2	H62 Y2 GB/T2059-2003
9	Spring (弹簧)	Carbon steel wire	2	T9A GB4357-89
10	Neon lamp (氖阻)	513+120K1/4W	1	Yangzhou Yangjie lighting And Electric Appliance co., Ltd

宁波万事达综研电气有限公司 NINGBO MASTER SOKEN ELECTRICAL CO., LTD.	DESIGNER 设计	竺友朝	DATE日期	2013. 5. 22	DIN UNIT 单位	mm
	CHECKED BY 审核		DATE日期		TITLE 型号	RK1-01F黑红弧 "0"
	APPROVED BY 批准		DATE日期		DRAWING NO.图号	